

# Convertible Jet Pumps

## LAF Series



### Specifications

- Power Range : 0.5HP - 1.5HP, 115/230V Capacitor Start
- 60Hz, Single Phase, 3450 RPM
- Flow rate : up to 26 GPM
- Max. Head : 190ft
- Built-in Overload Protector with auto reset
- Stainless Steel Shaft
- Cast Iron Pump body & ejector
- Rotation : Clockwise when viewed from Motor end
- Max. Water Temperature : 140° F
- Pipe Connections : 1½" x 1½" NPT
- NEMA Standard

### Operating conditions

Max. Liquid Temperature : 140° F  
Max. Working Pressure: 125 psi  
Max. Ambient Temperature : 104° F

## Special Features

- These Convertible Jet Pumps are design to use on Shallow or deep well applications using appropriate Pump fittings.
- **Serviceable** : Back pullout design allows disassembly of pump for service without disturbing the piping
- **Diffuser (Guide Vane)**: Bolt down diffuser provides positive alignment with impeller. F.D.A. compliant, injection molded, food grade, glass filled thermoplastic for durability and abrasion resistance.
- **Impeller** : F.D.A. compliant, food grade, glass filled thermoplastic for durability and abrasion resistance.
- **Corrosion Resistant** : Polyurethane paint process on cast iron prevents corrosion inside & outside.
- **Powered for Continuous Operation**: Pump ratings are within the range of working limits of motor. Can be operated continuously without damage.
- After Initial Priming the pump has the ability to re-prime itself even when air enters the system. Pumping resumes once water level rises above foot valve

## Applications

- Residential
- Farms
- Cottages
- Booster service

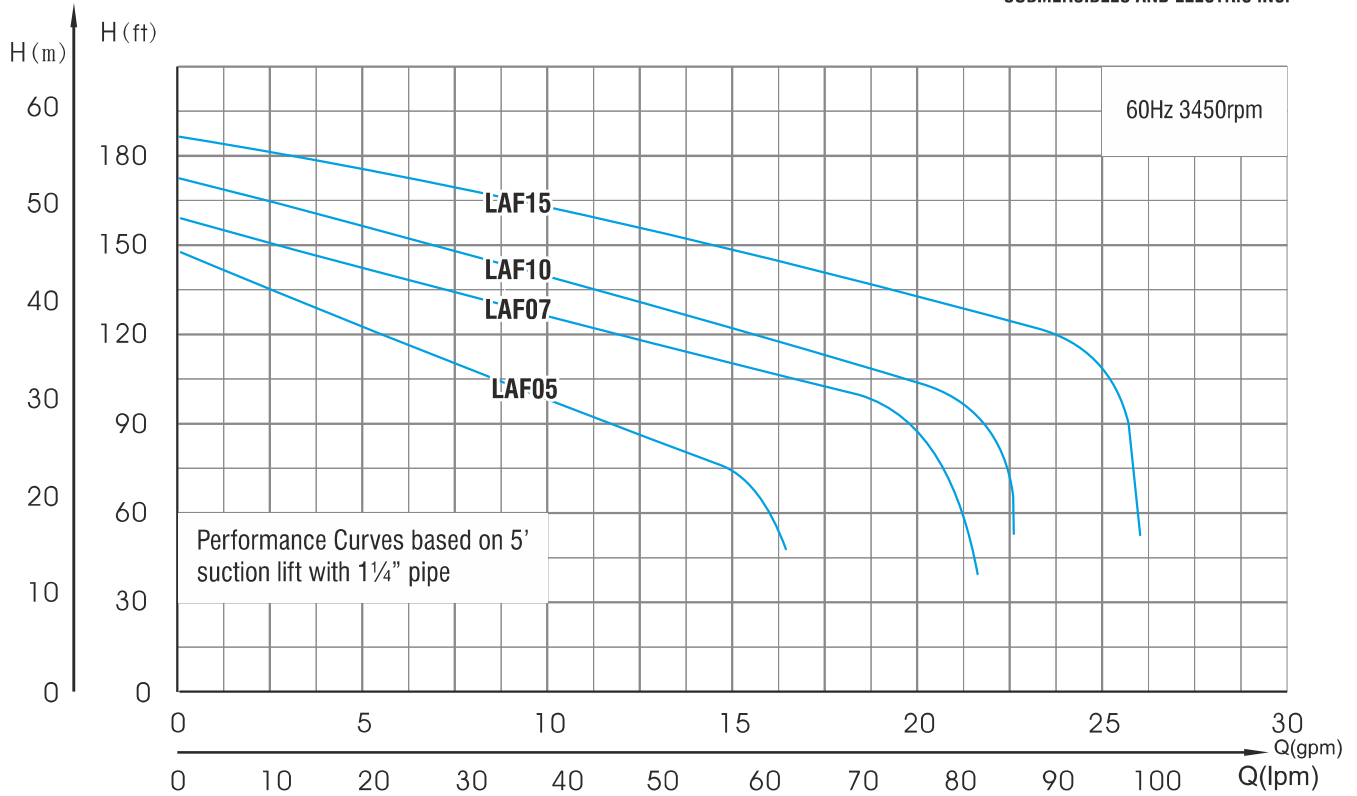
## Performance Table

Model	Rated Power		n=3450rpm			Q													
			Q.max	H.max	Suc. Head		US.GPM	0	2.64	5.3	8	10.6	13.3	15.9	18.6	21.1	23.8	26.4	
	HP	kW	lpm	ft	ft		m <sup>3</sup> /h	0	0.6	1.2	1.8	2.4	3	3.6	4.2	4.8	5.4	5.0	
LAF05	0.5	0.37	63	147	26	H	ft	0	10	20	30	40	50	60	70	80	90	100	
LAF07	0.75	0.55	83	157	26			147	133	120	106	92	82	59					
LAF10	1.0	0.75	85	172	26			157	147	139	131	123	115	106	98	65			
LAF15	1.5	1.1	100	185	26			172	164	152	144	136	125	116	101	95			
								185	180	172	165	157	152	144	136	128	116		

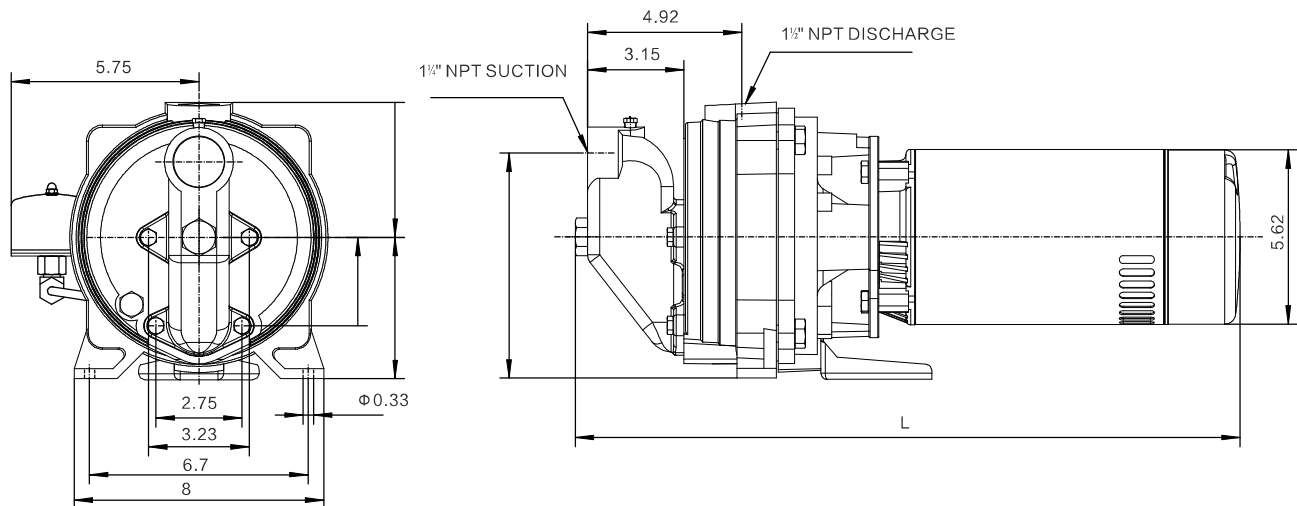


SUBMERSIBLES AND ELECTRIC INC.

## Performance Curves



## Dimensional Drawing



Model	LAF05	LAF07	LAF10	LAF15
L	21.5	21.5	21.5	22.25
Weight in lbs	50	56	59	68

**Note:** The above dimensions are in Inches.

## Exploded Drawing and Spare Parts

1	Hexagon bolt	5/16"-18 x 20, zinc plated
2	Ejector	Cast iron
3	Gas nail	NPT1/4"
4	Nozzle	ABS
5	Venturi pipe	PPO
6	Gasket	NBR
7	Pump body	Cast iron
8	Separator plate seal ring	NBR
9	Separator plate	Rubber
10	Cross recess head screw	M6 x 20,S.S
11	Diffuser	PPO
12	Impeller	PPO+20%GF
13	Mechanical seal	Graphite/Ceramic

14	Pump Base	Mild steel
15	Hexagon bolt with full screws	3/8"-16x15,S,S
16	Pump Cover	Cast iron
17	Hexagon bolt with full screws	1/2"-16x15,S,S
18	Hexagon bolt with full screws	3/8"-16x15,S,S
19	Deflector	Heat-resistance rubber
20	Drain plug	NPT1/8"
21	Straight fitting	PP
22	Tubing	PP
23	Elbow switch	PP
24	Pressure switch	30-50psi
25	Switch connector	G1/2"

