



SUBMERSIBLES AND ELECTRIC INC.

Shallow well Jet Booster Pumps

LJS Series



Specifications

- Power Range : 0.5HP - 1.5HP, 115/230V Capacitor Start
- 60Hz, Single Phase, 3450 RPM
- Built-in Overload Protector with auto reset
- Stainless Steel Shaft
- Rotation : Clockwise when viewed form Motor end
- Max. Water Temperature : 140 °F
- Pipe Connections : 1 1/4" x 1" NPT
- Pressure Setting : preset at 30-50 psi
- NEMA Standard

Operating conditions

Liquid Temperature : 32 °F to +140 °F

Max. Ambient Temperature : 104 °F

Special Features

- **Compact** : Design has an integral shallow well adapter into casing, which eliminates the need for a separate shallow well adapter.
- **Serviceable** : Back pullout design allows disassembly of pump for service without disturbing the piping
- Nozzle clean out plug in pump case
- Corrosion resistant, engineered plastic tubing and fittings are easily removed for cleaning. Premium O ring fittings need only be hand tight to seal
- **Diffuser (Guide Vane)**: Bolt down diffuser provides positive alignment with impeller. F.D.A. compliant, injection molded, food grade, glass filled thermoplastic for durability and abrasion resistance.
- **Impeller** : F.D.A. compliant, food grade, glass filled thermoplastic for durability and abrasion resistance.
- **Corrosion Resistant** : Polyurethane paint process on cast iron prevents corrosion inside & outside.
- **Casing** : Cast Iron Construction. Back pull-out design. Tapped openings provided for vacuum gauge and casing drain
- **Powered for Continuous Operation**: Pump ratings are within the range of working limits of motor. Can be operated continuously without damage.
- **Mechanical seal** : Carbon / Ceramic faces, BUNA elastomers. Pump design prevents the seal from running dry.

Applications

- Residence
- Cottages
- Booster Service

Performance Table

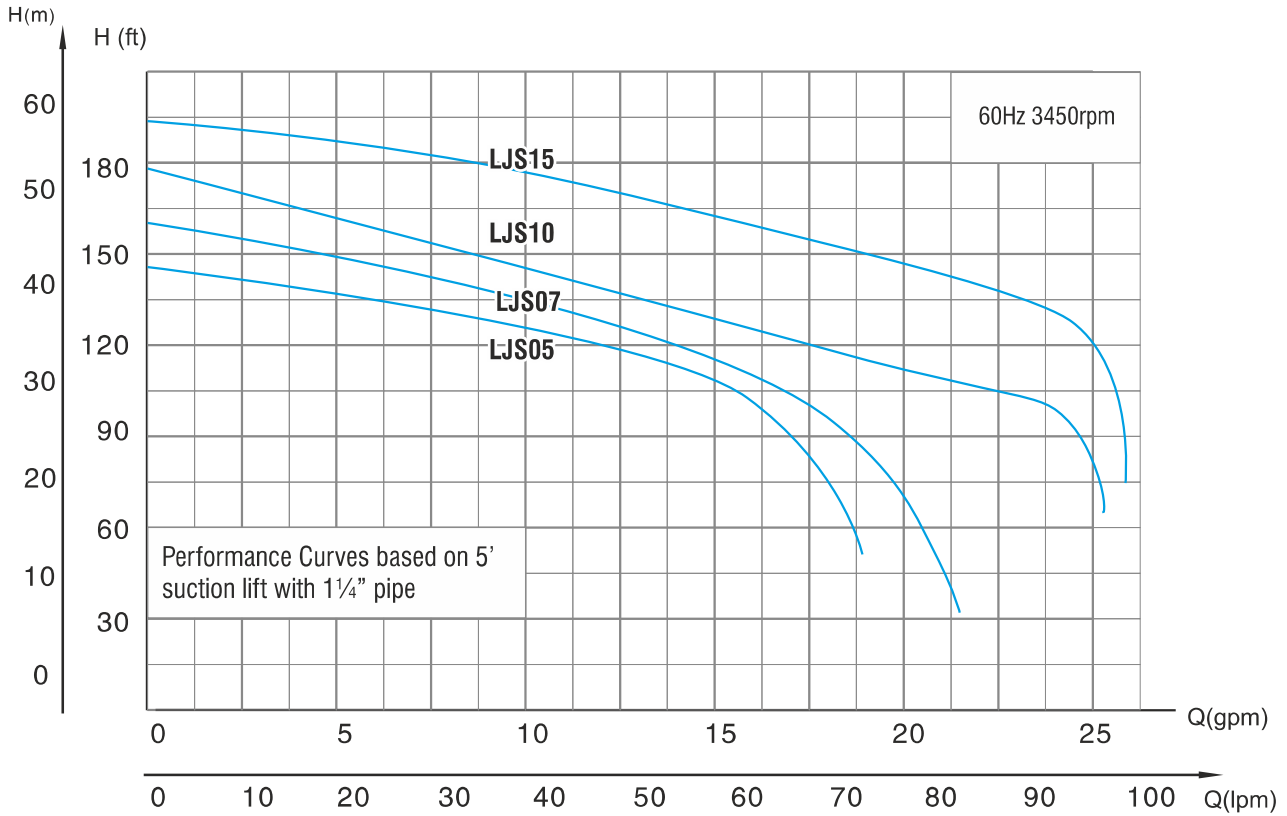
Model	LJS05					LJS05H					LJS07					LJS10					LJS15															
Hp	1/2					1/2					3/4					1					1 1/2															
Nozzle	LN011					LN012					LN013					LN013					Ln014															
Venturi	LV021					LV022					LV023A					LV023B					LV024															
Total Suction Lift (feet)	Discharge Pressure - PSI																																			
	20				30				40				50				60				30				40				50				60			
	Gallons per minute				Max. Shut off (PSI)	Gallons per minute				Max. Shut off (PSI)	Gallons per minute				Max. Shut off (PSI)	Gallons per minute				Max. Shut off (PSI)	Gallons per minute				Max. Shut off (PSI)											
5	17.5	16.5	10.2	5.0	63	11.5	11.3	11.0	7.7	4.8	83	21.3	18.3	12.5	6.6	70	24.8	24.4	16.6	9.9	74	26.6	26.3	25.0	15.6	80										
10	15.7	14.4	9.2	4.3	61	10.3	10.0	9.6	7.0	4.2	81	18.8	17.3	11.3	5.0	68	22.9	22.2	15.8	8.6	72	24.7	24.3	22.6	13.9	77										
15	13.7	12.5	8.0	3.6	59	8.8	8.6	8.3	6.3	3.7	79	16.4	15.5	9.6	3.7	66	19.8	19.5	13.8	6.9	70	21.6	21.5	20.4	12.9	75										
20	11.5	10.4	7.1	2.3	57	7.0	7.0	6.8	5.8	3.2	76	13.6	13.2	8.3	2.0	63	16.6	16.6	12.2	5.6	67	18.1	18.0	17.6	12.0	73										
25	8.7	8.6	6.2	1.3	54	5.3	5.3	5.2	5.0	2.8	73	10.0	9.9	6.4	1.0	59	12.5	12.4	10.4	3.6	65	14.0	14.0	14.0	10.0	71										

Product improvement is a continuous process at SEI. The data given in this publication is there for esubject to revision.

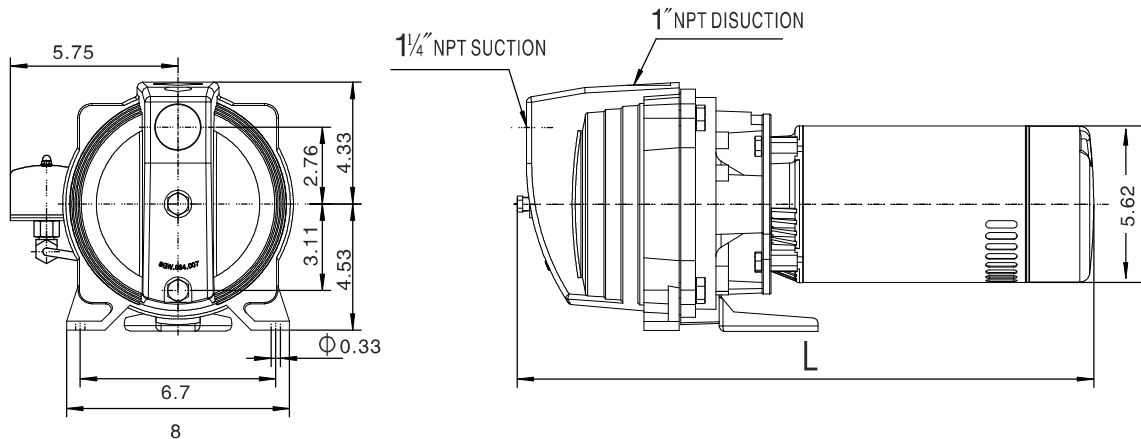


SUBMERSIBLES AND ELECTRIC INC.

Performance Curves



Dimensional Drawing



MODEL	LJS05	LJS07	LJS10	LJS15
L	21	21	21	21.65
Weight in lbs	43	47	50	60

Note: The above dimensions are in Inches.

Exploded Drawing and Spare Parts

1	Drain plug	NPT 1/4" ,Zinc plated	12	Hexagon blot with full screws	3/8"-16x15
2	Pump body	Cast iron	13	Pump cover	Cast iron
3	Nozzle	ABS	14	Hexagon blot with full screws	1/2"-13x30
4	Venturi tube	PPO	15	Hexagon blot with full screws	3/8"-16x25
5	Separator plate seal ring	Rubber	16	Deflector	Heat-resistance rubber
6	Separator plate	NBR	17	Water filling plug	NPT1/8
7	Screw	M6X20, S.S	18	Straight fitting	PP
8	Diffuser	PPO	19	Tubing	PP
9	Impeller	PPO+20%GF	20	Elbow fitting	PP
10	Mechanical Seal	Graphite/Ceramic	21	Pressure switch	30-50psi
11	Pump Base	Mild steel	22	Switch connector	G1/2"

