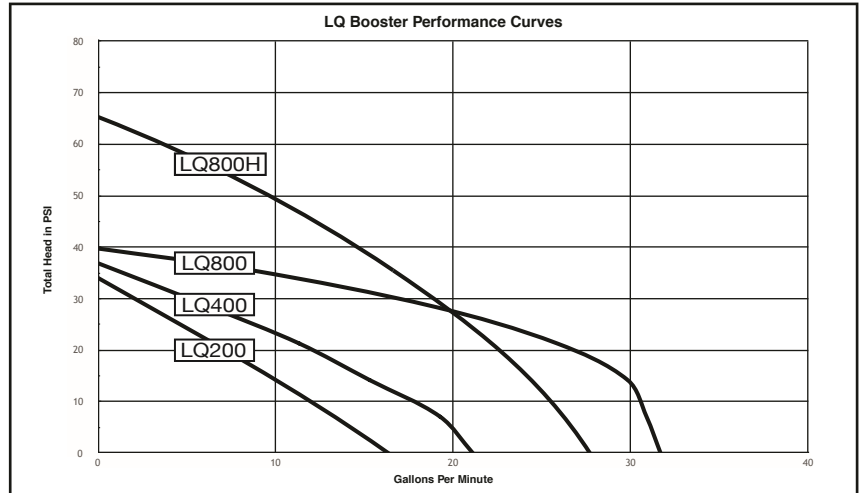
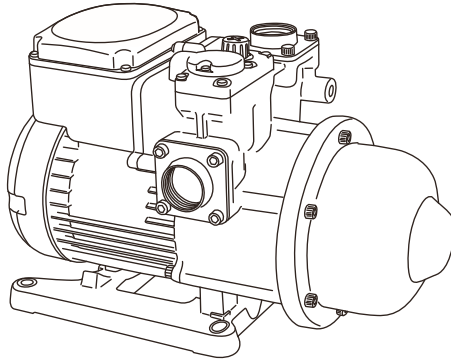




LQ Series In-Line Booster Pump

The LQ series pumps are designed for water supply pressure boosting in residential, commercial and light industrial applications



LQ Features:

- The LQ is a complete, all-in-one unit. The built-in electronic controller provides constant pressure automatically.
- Dual voltage 115/230V 60Hz can be easily switched.
- Easy & Simple output pressure adjustment.
- Compact design and quiet operation makes the LQ series suitable for many applications.
- Pump has built in dry-run shut off protection with an automatic reset function.
- The motor has a built-in thermal overload to protect against high operating temperatures and over current.
- The LQ has an anti-cycling feature which prevents the pump from short cycling.
- Standard & High head booster pumps available.

Operation Condition:

- Ambient temperature: Max. +104° F
- Liquid temperature: +39° F ~ +104° F
- System Pressure : Max. 120 PSI
- Relative humidity: Max. 85% (RH)

LQ200 1/4 HP

Inlet Pressure (PSI)	Flow Rate /PSI				
	3 gpm	6 gpm	9 gpm	12 gpm	15 gpm
10	39	33	27	21	14
20	49	43	37	31	24
30	59	53	47	41	34

LQ400 1/2 HP

Inlet Pressure (PSI)	Flow Rate /PSI						
	3 gpm	6 gpm	9 gpm	12 GPM	15 gpm	18 gpm	21 gpm
10	43	36	35	31	26	21	14
20	53	46	45	41	36	31	24
30	63	56	55	51	46	41	34

LQ800 1 HP

Inlet Pressure (PSI)	Flow Rate /PSI									
	3 gpm	6 gpm	9 gpm	12 gpm	15 gpm	18 gpm	21 gpm	24 gpm	27 gpm	30 gpm
10	49	47	46	44	42	40	38	34	30	24
20	59	57	56	54	52	50	48	44	40	34
30	69	67	66	64	62	60	58	54	50	44
40	79	77	76	74	72	70	68	64	60	54

LQ800H 1 HP

Inlet Pressure (PSI)	Flow Rate /PSI								
	3 gpm	6 gpm	9 gpm	12 gpm	15 gpm	18 gpm	21 gpm	24 gpm	27 gpm
10	72	67	61	56	50	45	39	29	14
20	82	77	71	66	60	55	49	39	24
30	92	87	81	76	70	65	59	49	34
40	102	97	91	86	80	75	69	59	44



Submersibles and Electric, Inc.
2664 S Litchfield Rd • Goodyear, AZ • 85338

888-938-3783

www.SEIpumps.com