



SURFACE PUMPS



CENTRIFUGAL & JET PUMPS

www.seipumps.com

Shallow well Jet Booster Pumps

LJS Series



Specifications

- Power Range : 0.5HP - 1.5HP, 115/230V Capacitor Start
- 60Hz, Single Phase, 3450 RPM
- Built-in Overload Protector with auto reset
- Stainless Steel Shaft
- Rotation : Clockwise when viewed form Motor end
- Max. Water Temperature : 140 °F
- Pipe Connections : 1 1/4" x 1" NPT
- Pressure Setting : preset at 30-50 psi
- NEMA Standard

Operating conditions

Liquid Temperature : 32 °F to +140 °F
Max. Ambient Temperature : 104 °F

Special Features

- **Compact** : Design has an integral shallow well adapter into casing, which eliminates the need for a separate shallow well adapter.
- **Serviceable** : Back pullout design allows disassembly of pump for service without disturbing the piping
- Nozzle clean out plug in pump case
- Corrosion resistant, engineered plastic tubing and fittings are easily removed for cleaning. Premium O ring fittings need only be hand tight to seal
- **Diffuser (Guide Vane)**: Bolt down diffuser provides positive alignment with impeller. F.D.A. compliant, injection molded, food grade, glass filled thermoplastic for durability and abrasion resistance.
- **Impeller** : F.D.A. compliant, food grade, glass filled thermoplastic for durability and abrasion resistance.
- **Corrosion Resistant** : Polyurethane paint process on cast iron prevents corrosion inside & outside.
- **Casing** : Cast Iron Construction. Back pull-out design. Tapped openings provided for vacuum gauge and casing drain
- **Powered for Continuous Operation**: Pump ratings are within the range of working limits of motor. Can be operated continuously without damage.
- **Mechanical seal** : Carbon / Ceramic faces, BUNA elastomers. Pump design prevents the seal from running dry.

Applications

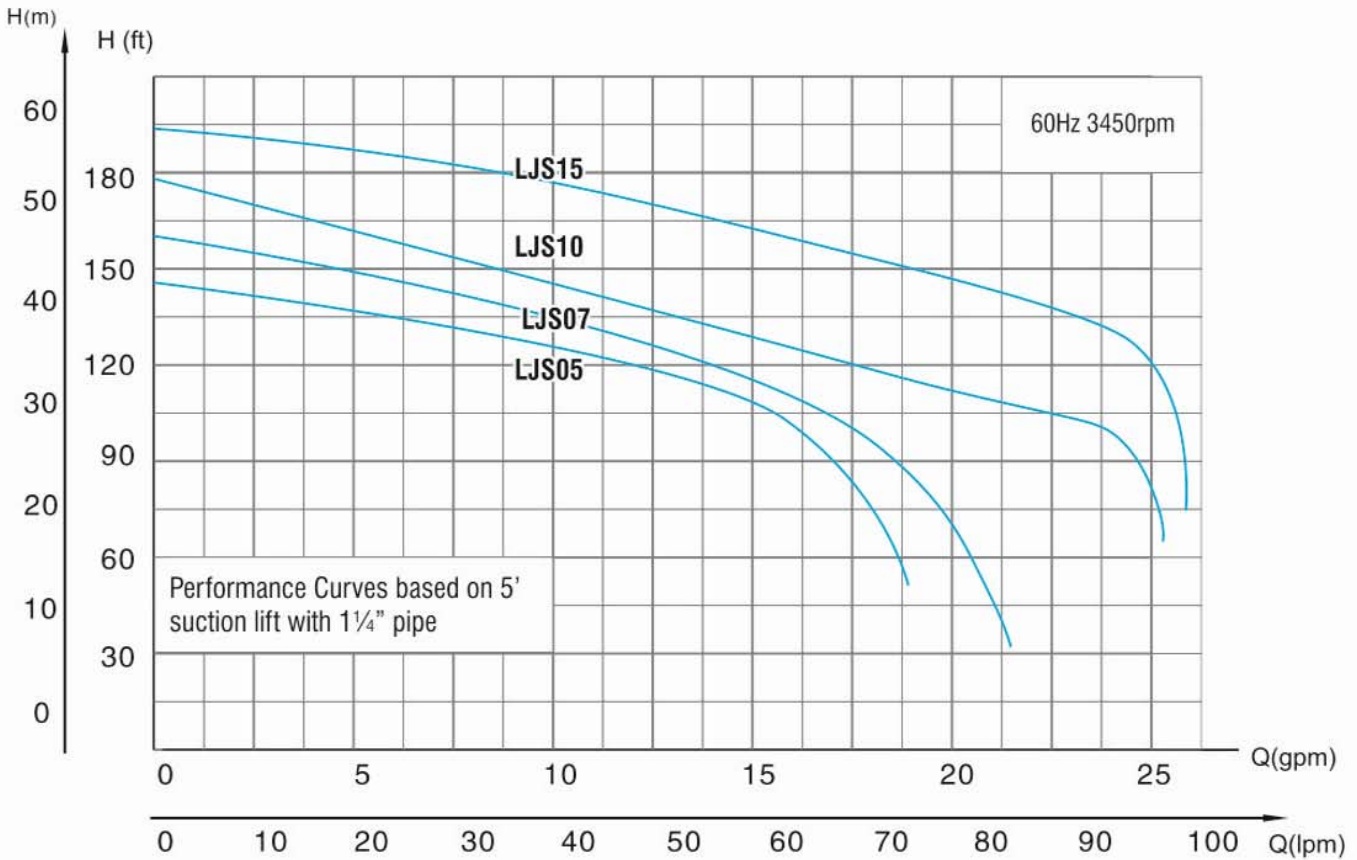
- Residence
- Cottages
- Booster Service

Performance Table

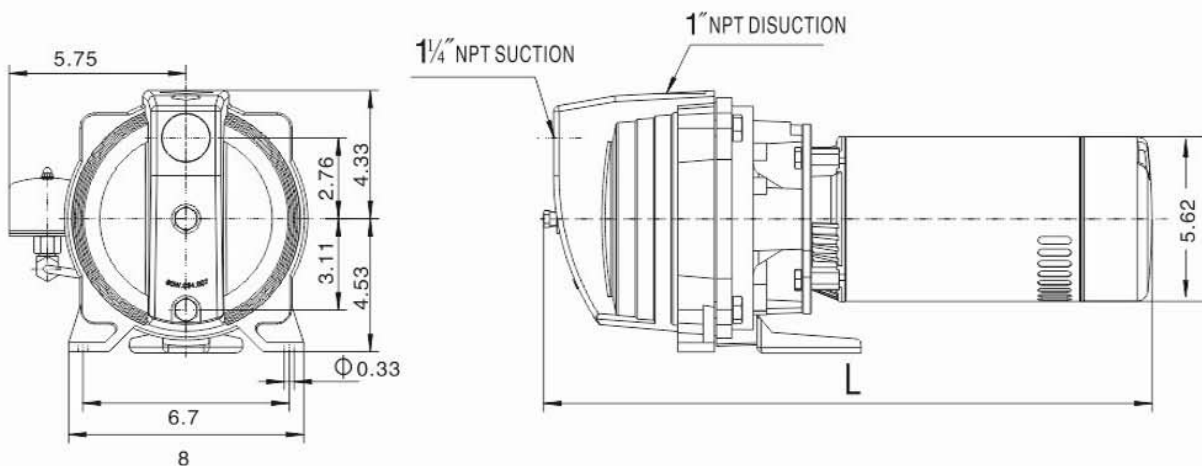
Model	LJS05					LJS05H					LJS07					LJS10					LJS15																	
Hp	½					½					¾					1					1½																	
Nozzle	LN011					LN012					LN013					LN013					Ln014																	
Venturi	LV021					LV022					LV023A					LV023B					LV024																	
Total Suction Lift (feet)	Discharge Pressure - PSI																																					
	20				30				40				50				60				Max. Shut off (PSI)	30				40				50				60				Max. Shut off (PSI)
	Gallons per minute				Max. Shut off (PSI)	Gallons per minute				Max. Shut off (PSI)	Gallons per minute				Max. Shut off (PSI)	Gallons per minute				Max. Shut off (PSI)		Gallons per minute				Max. Shut off (PSI)												
5	17.5	16.5	10.2	5.0		63	11.5	11.3	11.0		7.7	4.8	83	21.3		18.3	12.5	6.6	70		24.8	24.4	16.6	9.9	74		26.6	26.3	25.0	15.6	80							
10	15.7	14.4	9.2	4.3	61	10.3	10.0	9.6	7.0	4.2	81	18.8	17.3	11.3	5.0	68	22.9	22.2	15.8	8.6	72	24.7	24.3	22.6	13.9	77												
15	13.7	12.5	8.0	3.6	59	8.8	8.6	8.3	6.3	3.7	79	16.4	15.5	9.6	3.7	66	19.8	19.5	13.8	6.9	70	21.6	21.5	20.4	12.9	75												
20	11.5	10.4	7.1	2.3	57	7.0	7.0	6.8	5.8	3.2	76	13.6	13.2	8.3	2.0	63	16.6	16.6	12.2	5.6	67	18.1	18.0	17.6	12.0	73												
25	8.7	8.6	6.2	1.3	54	5.3	5.3	5.2	5.0	2.8	73	10.0	9.9	6.4	1.0	59	12.5	12.4	10.4	3.6	65	14.0	14.0	14.0	10.0	71												

Product improvement is a continuous process at SEI. The data given in this publication is there for esubject to revision.

Performance Curves



Dimensional Drawing

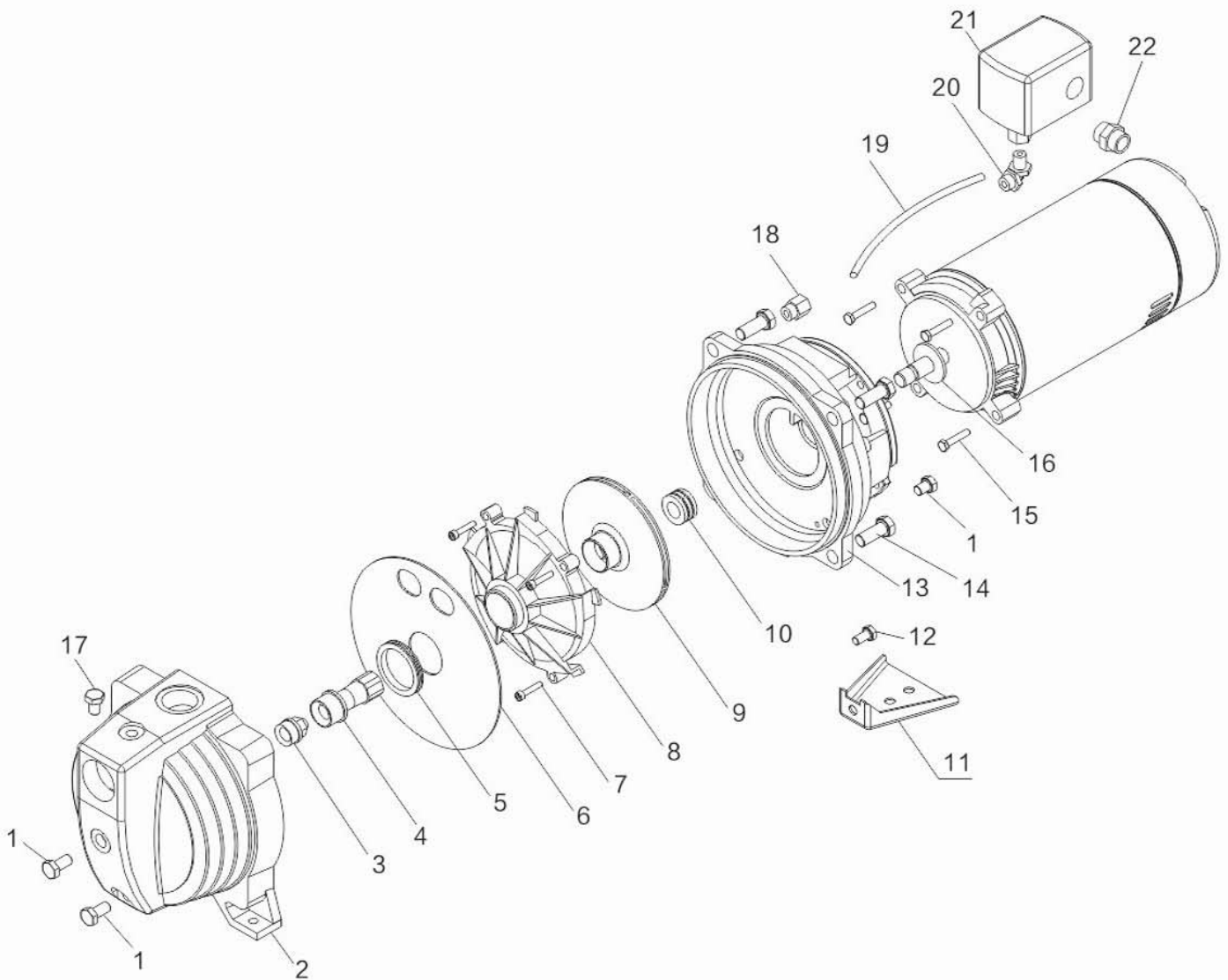


MODEL	LJS05	LJS07	LJS10	LJS15
L	21	21	21	21.65
Weight in lbs	43	47	50	60

Note: The above dimensions are in Inches.

Exploded Drawing and Spare Parts

1	Drain plug	NPT 1/4" ,Zinc plated	12	Hexagon blot with full screws	3/8"-16x15
2	Pump body	Cast iron	13	Pump cover	Cast iron
3	Nozzle	ABS	14	Hexagon blot with full screws	1/2"-13x30
4	Venturi tube	PPO	15	Hexagon blot with full screws	3/8"-16x25
5	Separator plate seal ring	Rubber	16	Deflector	Heat-resistance rubber
6	Separator plate	NBR	17	Water filling plug	NPT1/8
7	Screw	M6X20, S.S	18	Straight fitting	PP
8	Diffuser	PPO	19	Tubing	PP
9	Impeller	PPO+20%GF	20	Elbow fitting	PP
10	Mechanical Seal	Graphite/Ceramic	21	Pressure switch	30-50psi
11	Pump Base	Mild steel	22	Switch connector	G1/2"



Self-Priming Irrigator Centrifugal Pumps

LGT SERIES



Specifications

- Power Range : 0.75HP - 1.5HP, 115/230V Capacitor Start
2HP, 230V Capacitor Start
- 60Hz, Single Phase, 3450 RPM
- Flow rate : up to 88 GPM
- Max. Head : 130ft
- Built-in Overload Protector with auto reset
- Stainless Steel Shaft
- Rotation : Clockwise when viewed from Motor end
- Max. Water Temperature : 140 °F
- Pipe Connections : 1½" x 1½" NPT
- NEMA Standard

Operating conditions

- Max. Liquid Temperature : 140 °F
- Max. Working Pressure: 125 psi
- Max. Ambient Temperature : 104 °F

Special Features

- **Self-Priming Design:** Once for the first time the pump need to be filled with water and primed, it never needs priming again even if the water level drops below the suction end.
- **Serviceable :** Back pullout design allows disassembly of pump for service without disturbing the piping
- **Diffuser (Guide Vane):** Bolt down diffuser provides positive alignment with impeller. F.D.A. compliant, injection molded, food grade, glass filled thermoplastic for durability and abrasion resistance.
- **Impeller :** F.D.A. compliant, food grade, glass filled thermoplastic for durability and abrasion resistance.
- **Corrosion Resistant :** Polyurethane paint process on cast iron prevents corrosion inside & outside.
- **Casing :** Cast Iron Construction. Back pull-out design. Tapped openings provided for vacuum gauge and casing drain
- **Powered for Continuous Operation:** Pump ratings are within the range of working limits of motor. Can be operated continuously without damage.
- **Mechanical seal :** Carbon / Ceramic faces, BUNA elastomers. Pump design prevents the seal from running dry.

Applications

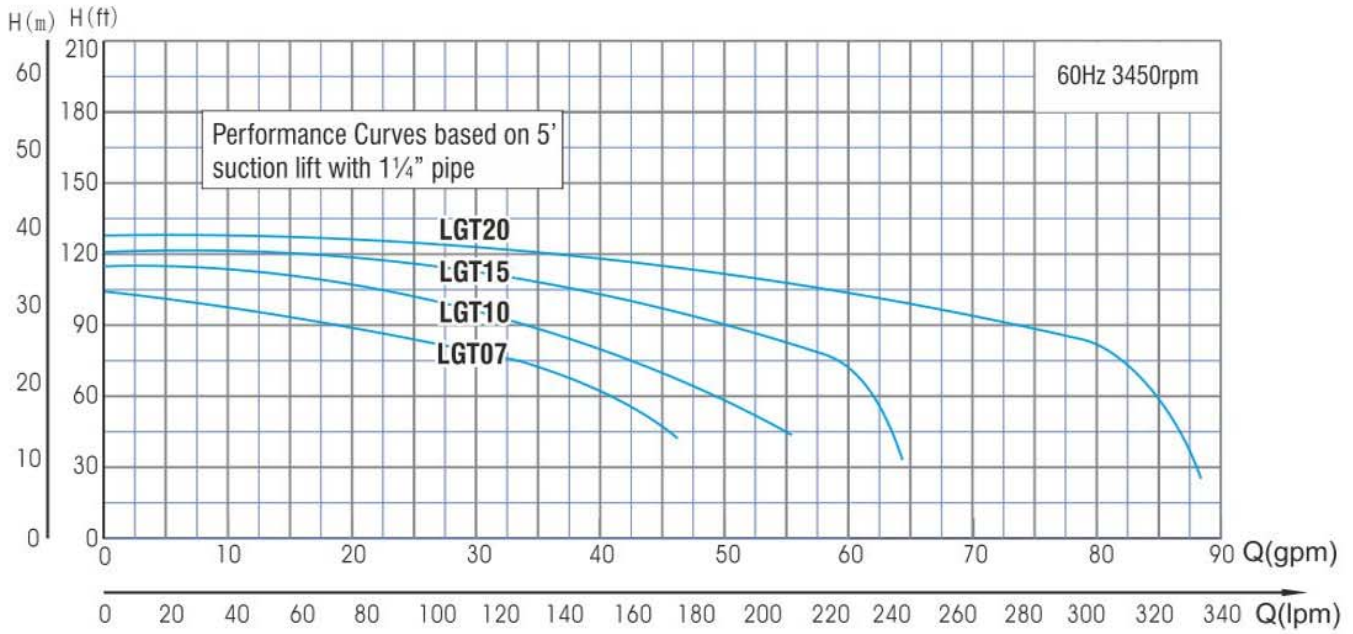
- Lawn Sprinkling
- Irrigation
- water transfer
- Dewatering

Performance Table

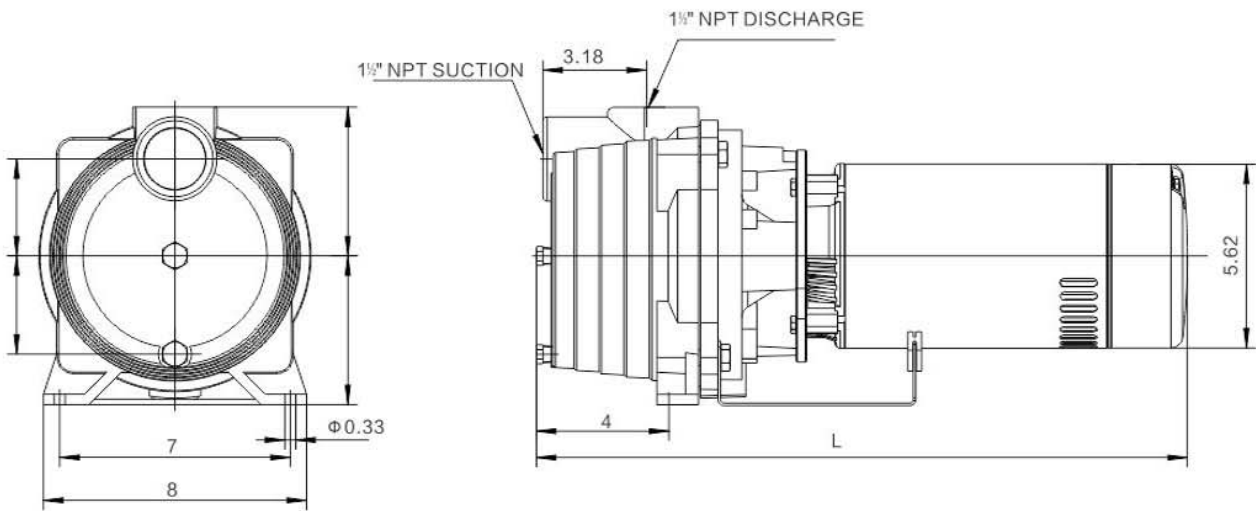
Model	Rated Power		n=3450rpm			Q	H													
			Q.max	H.max	Suc. Head		US.GPM	0	8	15.9	23.8	31.7	39.5	47.5	55.4	63.4	71.3	79.2		
	HP	kW	LPM	ft	ft		m³/h	0	1.8	3.6	5.4	7.2	9	10.8	12.5	14.4	16.2	18		
LGT07	0.75	0.55	170	103	26	H	LPM	0	30	60	90	120	150	180	210	240	270	300		
LGT10	1.0	0.75	230	115	26		ft	103	98	90	82	74	59							
LGT15	1.5	1.1	250	119	26		115	113	108	100	92	78	62	41						
LGT20	2.0	1.5	330	126	26		119	118	116	115	108	100	92	78	44					

Product improvement is a continuous process at SEI. The data given in this publication is there for esubject to revision.

PERFORMANCE CURVES



Dimensional Drawing

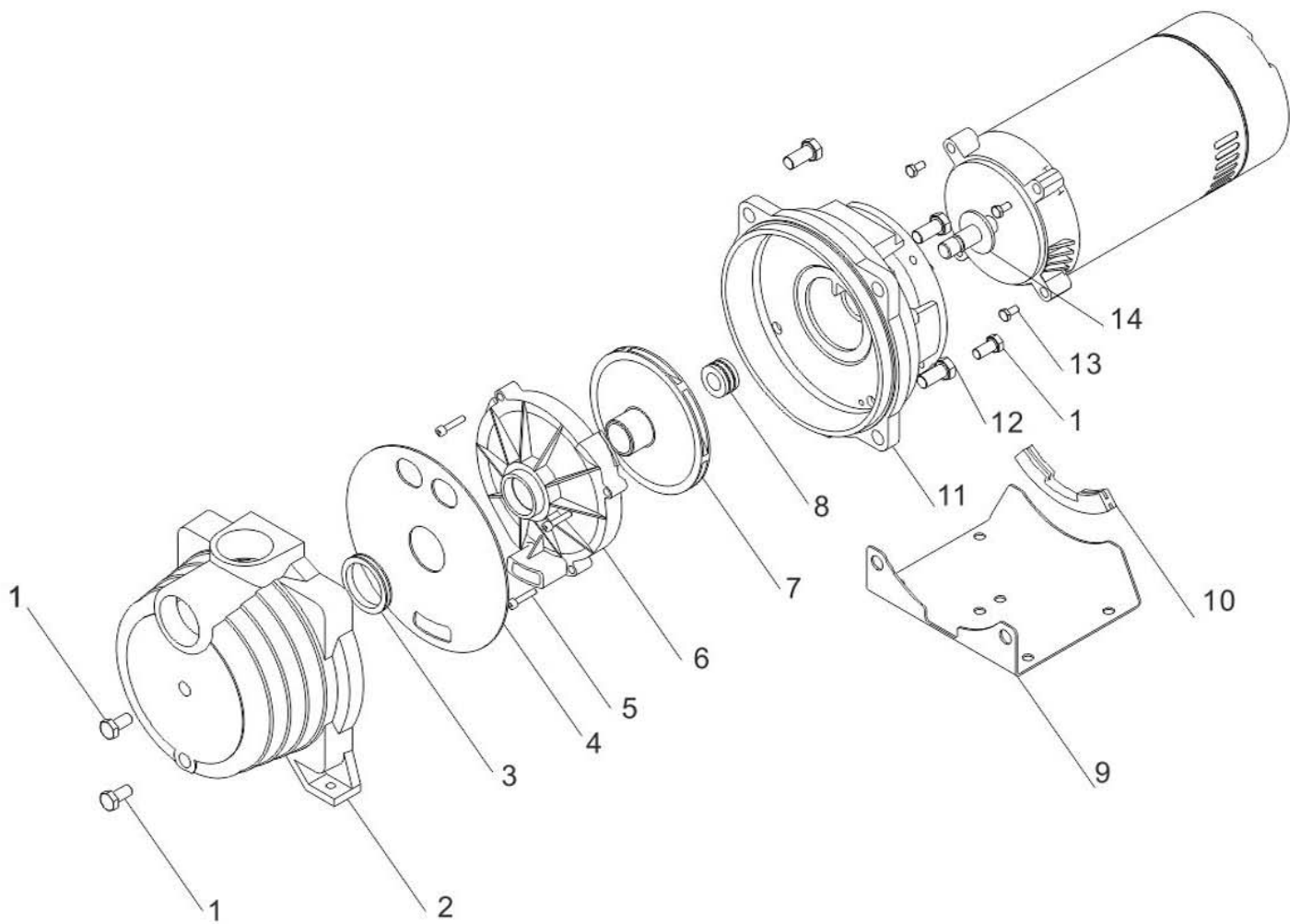


MODEL	LGT07	LGT10	LGT15	LGT20
L	19.69	19.69	20.5	20.5
Weight in lbs	48	52	60	65

Note: The above dimensions are in Inches.

Exploded Drawing and Spare Parts

1	Drain Plug	NPT1/4", zinc plated	8	Mechanical Seal	Graphite/Ceramic
2	Pump body	Cast iron	9	Pump Base	Mild steel
3	Separator plate seal ring	Rubber	10	Rubber pad	Rubber
4	Separator plate	NBR	11	Pump cover	Cast iron
5	Screw	M6 x 20, S.S	12	Hexagon bolt with full screws	1/2"-13 x 30, S.S
6	Diffuser	PPO	13	Hexagon bolt with full screws	3/8"- 16 x 25, S.S
7	Impeller	PPO+20%GF	14	Deflector	Heat-resistance rubber



Vertical Deepwell Jet Pumps

LSJ SERIES



Specifications

- Power Range : 0.75HP - 1.5HP, 115/230V Capacitor Start
- 2HP, 230V Capacitor Start"
- 60Hz, Single Phase, 3450 RPM
- Flow rate : up to 32 GPM
- Max. Head : 210ft
- Built-in Overload Protector with auto reset
- Stainless Steel Shaft
- Rotation : Clockwise when viewed form Motor end
- Max. Water Temperature : 140 °F
- Pipe Connections : Suction : 1 1/4" Discharge : 1" NPT
- Pressure Setting : preset at 30-50 psi
- NEMA Standard

Operating conditions

Liquid Teperature : 32° F to +140° F
Max. Ambient Temperature : 104° F

Special Features

- Specially designed to deliver high flow rate at deeper settings
- **Serviceable** : Easy to dismantle by removing four bolts and taken apart for service
- **Impeller** : F.D.A. compliant, food grade, glass filled thermoplastic for durability and abrasion resistance.
- **Corrosion Resistant** : Polyurethane paint process on cast iron prevents corrosion inside & outside.
- **Casing** : Cast Iron Construction. Back pull-out design. Tapped openings provided for vacuum gauge and casing drain
- **Powered for Continuous Operation**: Pump ratings are within the range of working limits of motor. Can be operated continuously without damage.
- Top mounted vent plug allows air to escape from seal cavity during initial priming
- Adjustable Automatic Pressure Control Valve maintains ma. Flow rate at all times. Bypass check Valve equalizes pressure in entire system and helps prevent loss of prime.

Applications

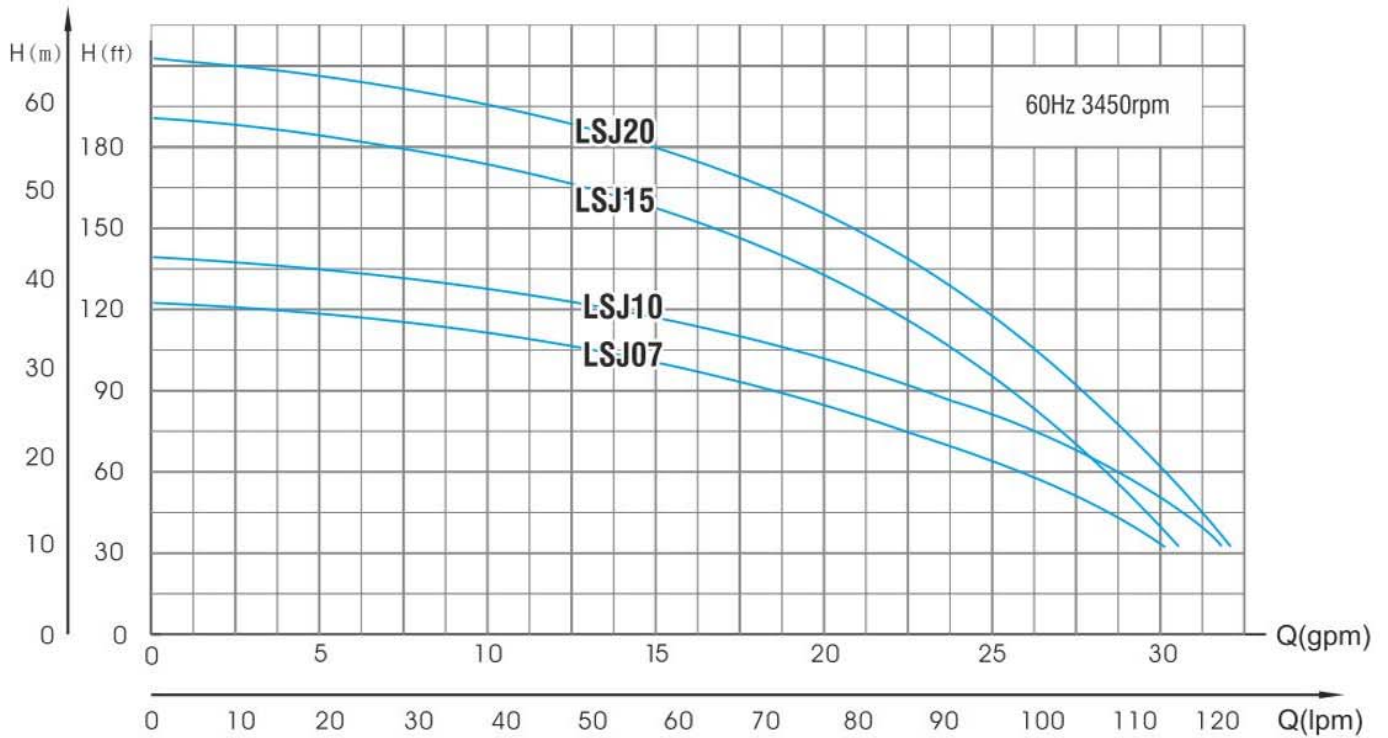
- Residential
- Farm irrigation
- Booster Service

Performance Table

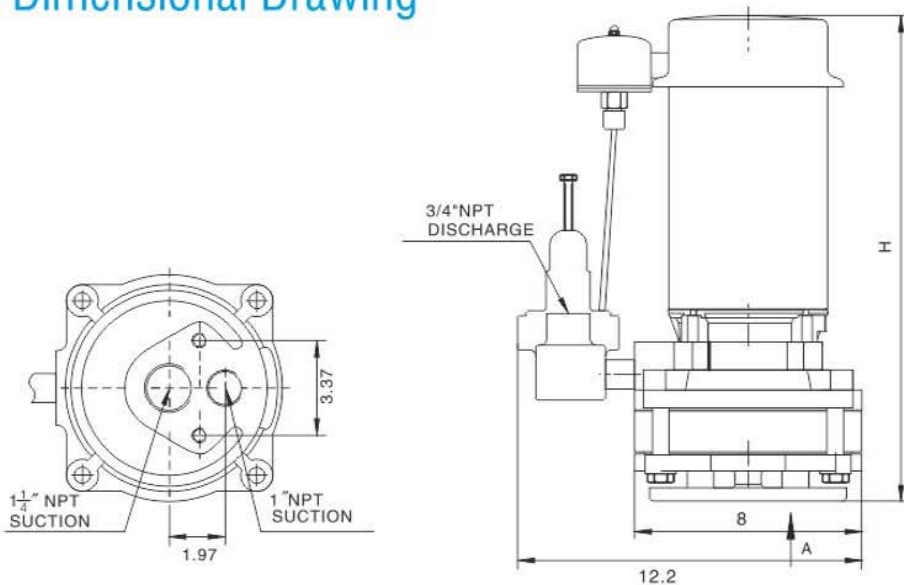
Model	LSJ07			LSJ10			LSJ15			LSJ20			
HP	0.75HP			1HP			1.5HP			2HP			
Well Casing (inch)	2			2			2			2			
Suction Pipe Size (inch)	1.25			1.25			1.25			1.25			
Nozzle	N012	N013	N014	N013	N014	N015	N013						
Venturi	V727	V724	V720	V724		V720	V726	V722	V719	V726	V722	V719	
Pressure Control Valve Setting (PSI)	40			40	45		62	65	67	76	78	80	
Depth to Jet Assembly (based on submergence of 5 feet)	Gallons Per Minute 30-50 Pressure Switch Setting												
	Feet												
	30	14.9			15.8			13			13		
	40	13.1			14			13			13		
	50	11.6			12.5			12.9			13		
	60	10.5			11.2			12.7			13		
	70	8.4	8.8					11.8			12.8		
	80		7.6					10.2			11.8		
	90		6.1	6.2				8.3	9.1		10.5		
	100			5.7			4.8		8.3		8.5	9.1	
	110			4.3		11.3	4		7.3			8.9	
	12			3.8		10	3.5		6.2			7.9	
	130			2.2		8.7	3		5.4	5.6		6.9	
	140					5.5	2.4			5.3		6	
	150					4.2				4.8		5.2	5.6
	160									4.3			5.4
	170												4.9
180												4.3	
190												3.8	
200												3.3	

Product improvement is a continuous process at SEI. The data given in this publication is there for esubject to revision.

Performance Curves



Dimensional Drawing

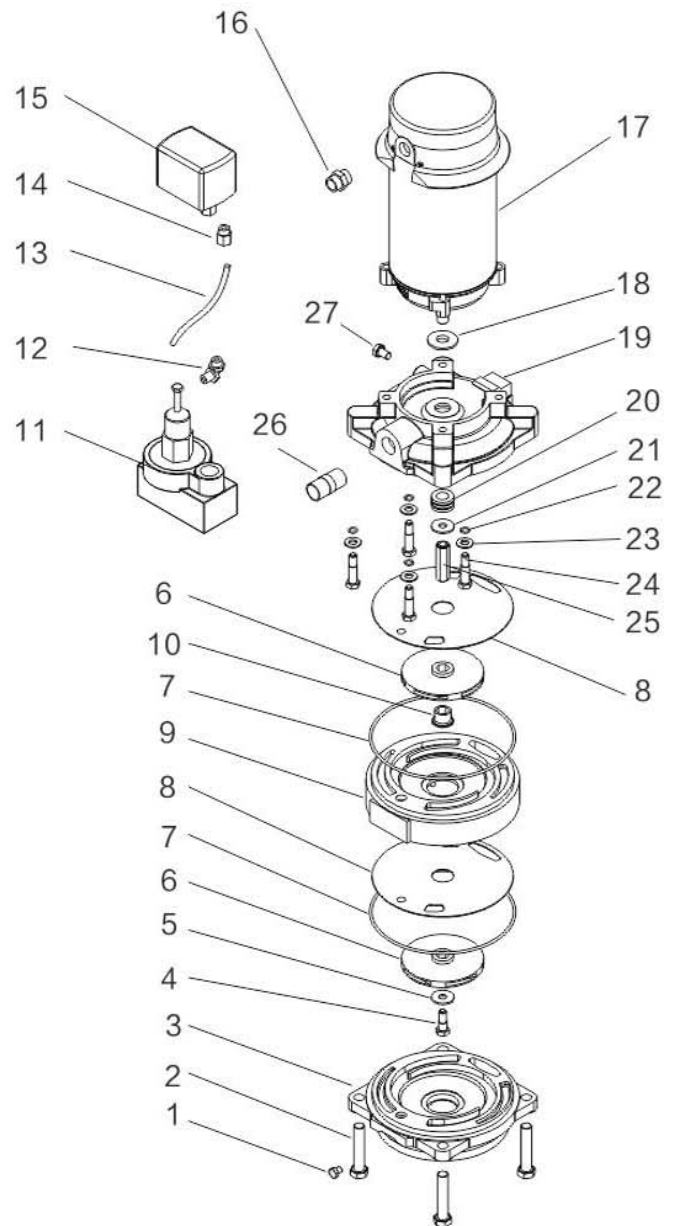


MODEL	LSJ07	LSJ10	LSJ15	LSJ20
L	17.32	17.32	19.69	19.69
Weight in lbs	58	63	78	88

Note: The above dimensions are in Inches.

Exploded Drawing and Spare Parts

1	Drain plug	NPT 1/8" ,Zinc plated
2	Hexagon bolt	1/2"-13x110, Zinc plated
3	Pump lower cover	Cast iron
4	Hexagon bolt with full screws	3/8"-16x25,S.S
5	Washer	Ø10, S.S
6	Impeller	PPO+20%GF
7	O-ring	NBR
8	Diaphragm	S.S.304
9	Pump middle cover	Cast iron
10	Sleeve	S.S.304
11	Pressure control valve sets	Cast iron
12	Elbow fitting	PP
13	Tubing	PP
14	Straight Fitting	PP
15	Pressure switch	30-50psi
16	Switch connector	G1/2"
17	Electric motor	Rugged steel
18	Deflector	Heat-resistance rubber
19	Pump upper cover	Cast iron
20	Mechanical Seal	Graphite/Ceramic
21	Flat washer	S.S.304
22	O ring	NBR
23	Washer	S.S.304
24	Impeller Spindle	S.S.304
25	Hexagon Bolt	3/8"-16x45, S.S
26	Control valve connector	NPT3/4



Product improvement is a continuous process at SEI. The data given in this publication is there for esubject to revision.

Technical Data



PERFORMANCE RATINGS-PACKER SYSTEM													
HP/Model	3/4HP LSJ07			1HP LSJ10			1 1/2HP LSJ15			2HP LSJ20			
Well Casing In.	2			2			2			2			
Suction	Pipe	1 1/4			1 1/4			1 1/4			1 1/4		
	Size (In)												
Nozzle	N012	N013	N014	N013	N014	N015	N013						
Venturi	V727	V724	V720	V724		V720	V726	V722	V719	V726	V722	V719	
Jet Assembly Package	T4-48	T4-47	T4-06	T4-47	T4-24	T4-08	T4-45	T4-30	T4-29	T4-45	T4-30	T4-29	
Jet Body (Only)	AT4												
Pressure				40	45		62	65	67	76	78	80	
Control Valve Setting (PSI)	40			40	45		62	65	67	76	78	80	
Depth to Jet Assembly (based on submergence of 5 feet)	Feet	Gallons Per Minute 30-50 Pressure Switch Setting											
	30	14.9			15.8			13			13		
	40	13.1			14			13			13		
	50	11.6			12.5			12.9			13		
	60	10.5			11.2	11.3		12.7			13		
	70	8.4	8.8			10		11.8			12.8		
	80		7.6			8.7		10.2			11.8		
	90		6.1	6.2		5.5		8.3	9.1		10.5		
	100			5.7		4.2	4.8		8.3		8.5	9.1	
	110			4.3			4		7.3			8.9	
	120			3.8			3.5		6.2			7.9	
	130			2.2			3		5.4	5.6		6.9	
	140						2.4			5.3		6	
	150									4.8		5.2	5.6
	160									4.3			5.4
	170												4.9
	180												4.3
	190												3.8
	200												3.3

Technical Data

PERFORMANCE RATINGS-TWIN PIPE SYSTEM												
HP/Model	3/4HP LSJ07			1HP LSJ10			1 1/2HP LSJ15			2HP LSJ20		
Well Casing In.	4											
Pressure	Pipe	1										
	Size											
Suction	(In)	1 1/4										
Jet Assembly Package	T4-48	T4-47	T4-06	T4-47	T4-24	T4-08	T4-45	T4-30	T4-29	T4-45	T4-30	T4-29
Jet Body (Only)	AT4											
Nozzle	N012	N013	N014	N013	N015			N013				
Venturi	V727	V724	V720	V724		V720	V726	V722	V719	V726	V722	V719
Control Valve Setting (PSI)	37	40			43		62	65	67	76	78	80
Depth to Jet Assembly (based on submergence of 5 feet)	Feet	Gallons Per Minute 30-50 Pressure Switch Setting										
	30	15.2			16.0			13.0			13.0	
	40	13.5			15.2			13.0			13.0	
	50	11.8			14.7			13.0			13.0	
	60	10.7			13.7			12.8			12.8	
	70	8.5	9.0		11.7	11.7		12.2			12.8	
	80		7.5			10.5		10.6			12.0	
	90		6.2	6.2		9.0		9.2	9.3		11.3	
	100			5.8		7.5			9.0		9.5	9.5
	110			5.0		6.3	6.0			8.0		9.4
	120			4.6			5.0			7.0		8.5
	130			4.0			4.3			6.2	5.8	7.7
	140						4.0				5.6	6.8
	150						3.5			5.2		6.0
	160									4.7		5.5
	170									4.2		5.3
	180									3.7		5.0
	190									3.2		4.7
	200											3.8

Convertible Jet Pumps

LAF Series



Specifications

- Power Range : 0.5HP - 1.5HP, 115/230V Capacitor Start
- 60Hz, Single Phase, 3450 RPM
- Flow rate : up to 26 GPM
- Max. Head : 190ft
- Built-in Overload Protector with auto reset
- Stainless Steel Shaft
- Cast Iron Pump body & ejector
- Rotation : Clockwise when viewed from Motor end
- Max. Water Temperature : 140 °F
- Pipe Connections : 1 1/2" x 1 1/2" NPT
- NEMA Standard

Operating conditions

Max. Liquid Temperature : 140 °F
Max. Working Pressure: 125 psi
Max. Ambient Temperature : 104 °F

Special Features

- These Convertible Jet Pumps are design to use on Shallow or deep well applications using appropriate Pump fittings.
- **Serviceable** : Back pullout design allows disassembly of pump for service without disturbing the piping
- **Diffuser (Guide Vane)**: Bolt down diffuser provides positive alignment with impeller. F.D.A. compliant, injection molded, food grade, glass filled thermoplastic for durability and abrasion resistance.
- **Impeller** : F.D.A. compliant, food grade, glass filled thermoplastic for durability and abrasion resistance.
- **Corrosion Resistant** : Polyurethane paint process on cast iron prevents corrosion inside & outside.
- **Powered for Continuous Operation**: Pump ratings are within the range of working limits of motor. Can be operated continuously without damage.
- After Initial Priming the pump has the ability to re-prime itself even when air enters the system. Pumping resumes once water level rises above foot valve

Applications

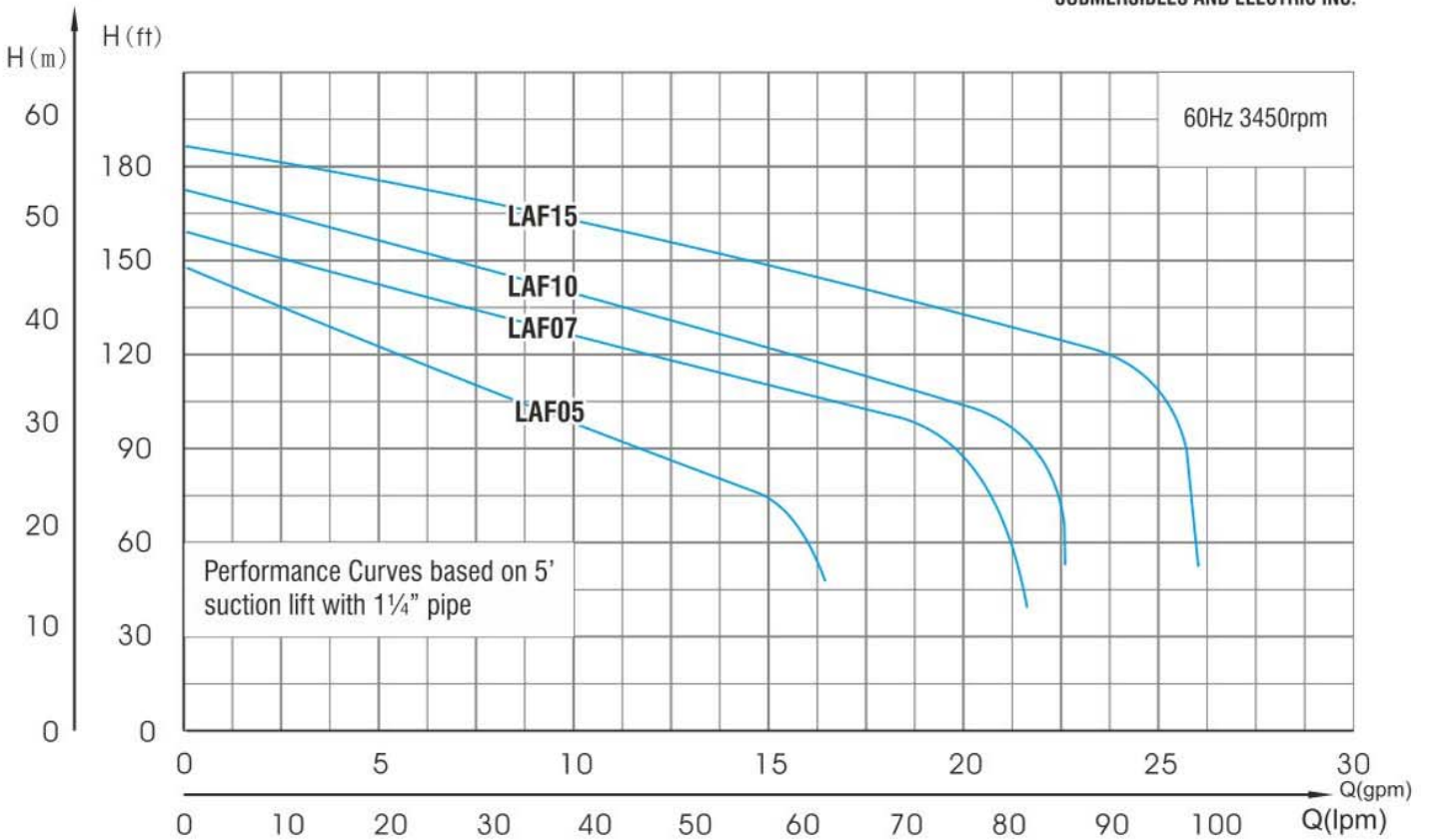
- Residential
- Farms
- Cottages
- Booster service

Performance Table

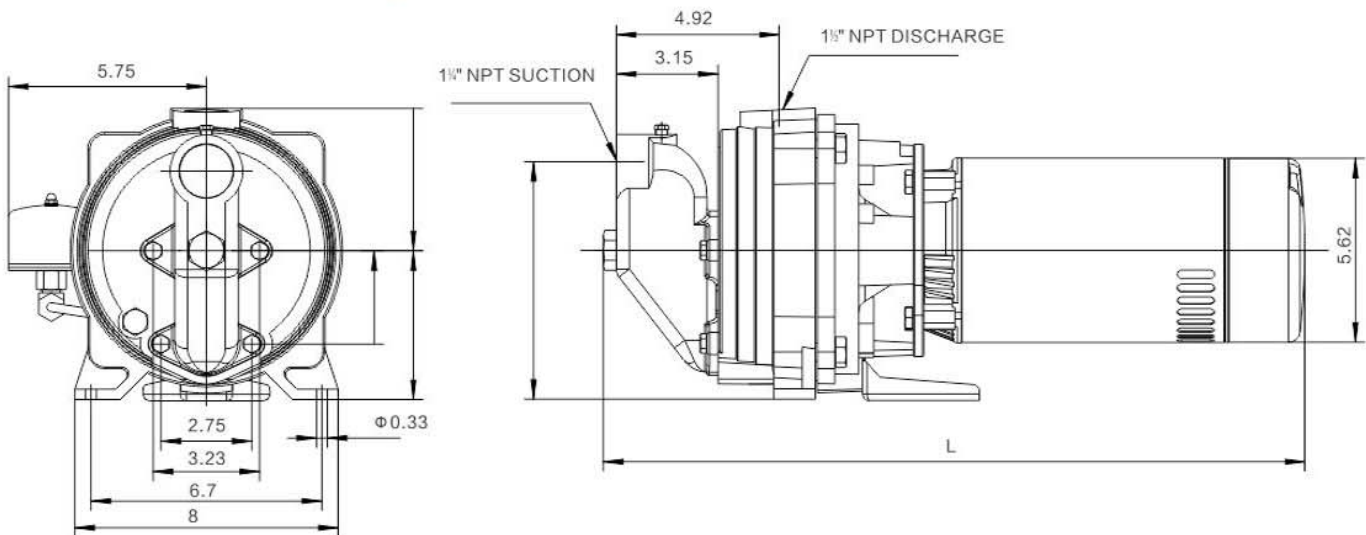
Model	Rated Power		n=3450rpm			Q	H												
			Q.max	H.max	Suc. Head		US.GPM	0	2.64	5.3	8	10.6	13.3	15.9	18.6	21.1	23.8	26.4	
	HP	kW	lpm	ft	ft		m ³ /h	0	0.6	1.2	1.8	2.4	3	3.6	4.2	4.8	5.4	5.0	
LAF05	0.5	0.37	63	147	26	H	lpm	0	10	20	30	40	50	60	70	80	90	100	
LAF07	0.75	0.55	83	157	26		ft	147	133	120	106	92	82	59					
LAF10	1.0	0.75	85	172	26		157	147	139	131	123	115	106	98	65				
LAF15	1.5	1.1	100	185	26		172	164	152	144	136	125	116	101	95				

Product improvement is a continuous process at SEI. The data given in this publication is there for esubject to revision.

Performance Curves



Dimensional Drawing



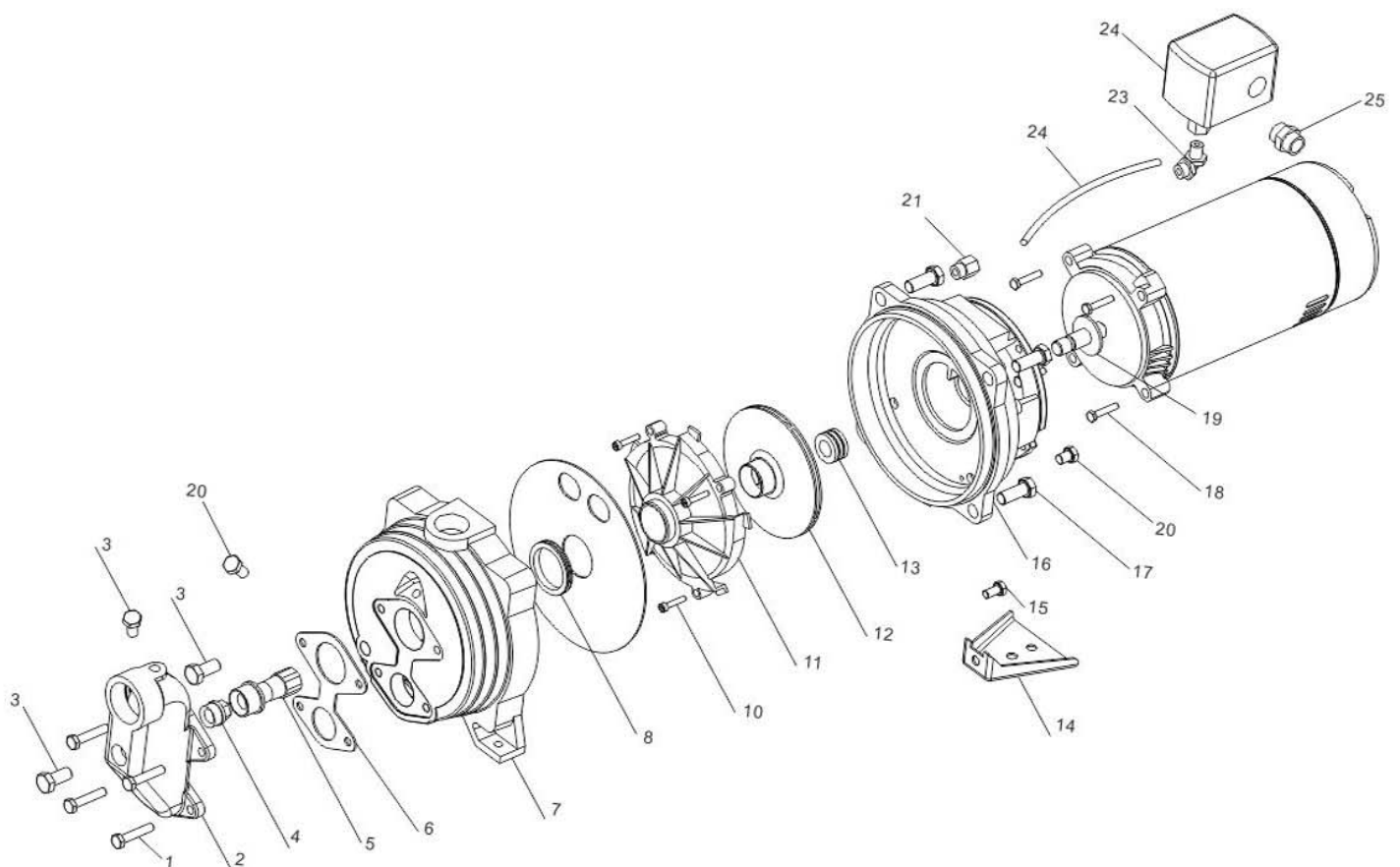
Model	LAF05	LAF07	LAF10	LAF15
L	21.5	21.5	21.5	22.25
Weight in lbs	50	56	59	68

Note: The above dimensions are in Inches.

Exploded Drawing and Spare Parts

1	Hexagon bolt	5/16"-18 x 20, zinc plated
2	Ejector	Cast iron
3	Gas nail	NPT1/4"
4	Nozzle	ABS
5	Venturi pipe	PPO
6	Gasket	NBR
7	Pump body	Cast iron
8	Separator plate seal ring	NBR
9	Separator plate	Rubber
10	Cross recess head screw	M6 x 20,S.S
11	Diffuser	PPO
12	Impeller	PPO+20%GF
13	Mechanical seal	Graphite/Ceramic

14	Pump Base	Mild steel
15	Hexagon bolt with full screws	3/8"-16x15,S,S
16	Pump Cover	Cast iron
17	Hexagon bolt with full screws	1/2"-16x15,S,S
18	Hexagon bolt with full screws	3/8"-16x15,S,S
19	Deflector	Heat-resistance rubber
20	Drain plug	NPT1/8"
21	Straight fitting	PP
22	Tubing	PP
23	Elbow switch	PP
24	Pressure switch	30-50psi
25	Switch connector	G1/2"





Submersibles and Electric Inc.

2664 S Litchfield Road, Goodyear AZ 85338

Ph: 888 938 3783 | 818 231 0455

Email: anurag@seipumps.com

Web: www.seipumps.com