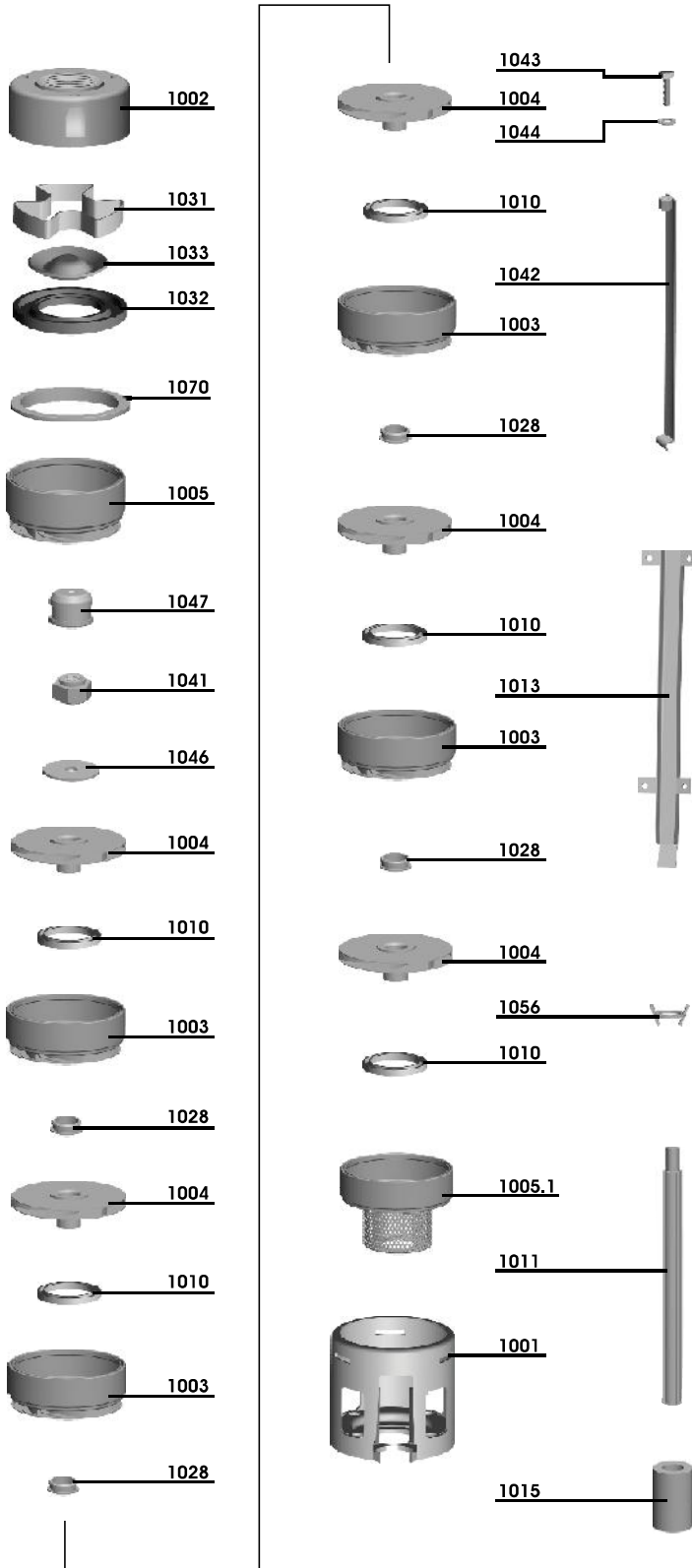


STAINLESS STEEL SUBMERSIBLE PUMP P04-05,P04-07,P04-10,P04-16,P04-25

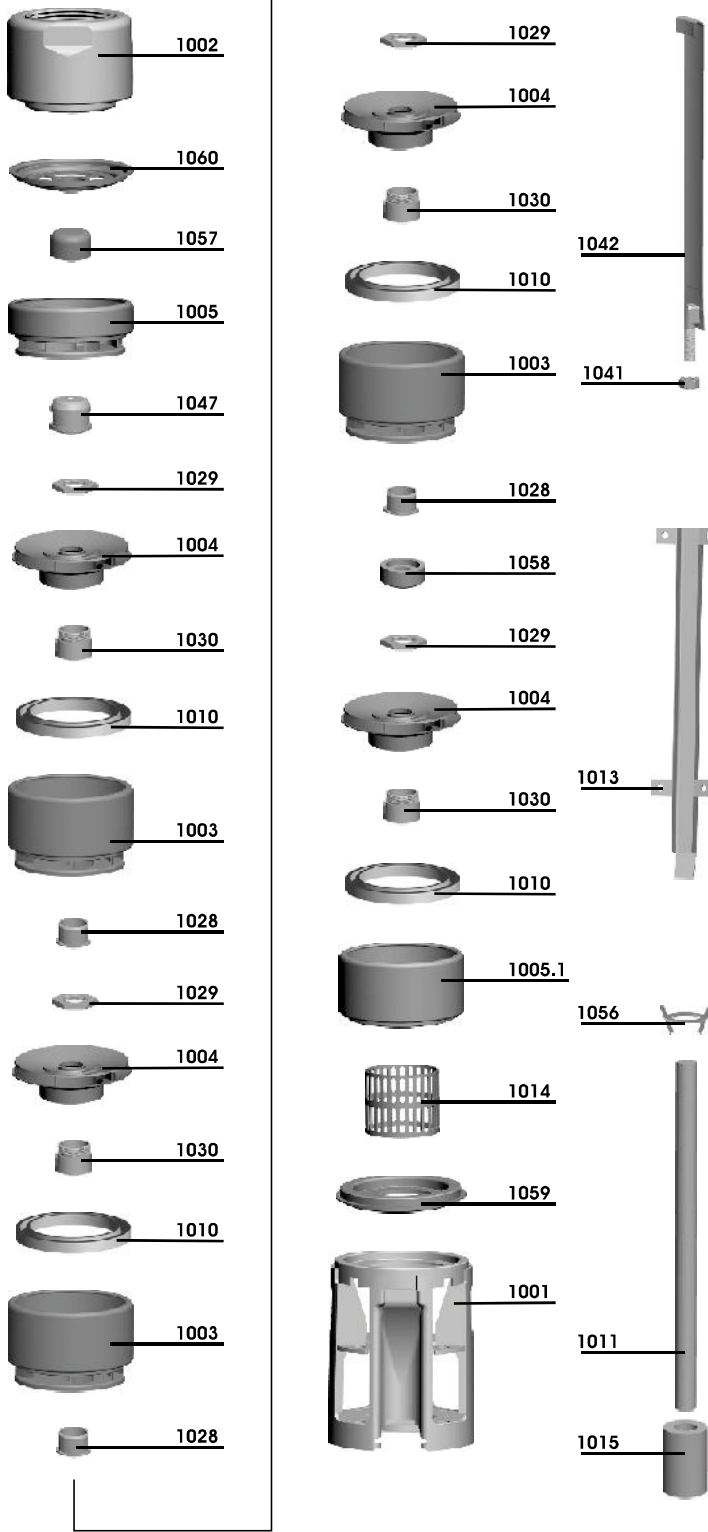
CONSTRUCTION



MATERIALS

PART NO.	PARTS NAME	MATERIAL
1001	SUCTION CASE	SS 304
1002	DELIVERY CASING	SS 304
1003	BOWL / DIFFUSER	SS 304
1004	IMPELLER	SS 304
1005	TOP BOWL	SS 304
1005.1	SUCTION BOWL	SS 304
1010	NECK RING	NBR
1011	PUMP SHAFT	SS 316
1013	CABLE GUARD	SS 304
1015	COUPLE	SS 316
1028	BOWL BEARING	NBR
1031	NRV RIB	SS 304
1032	VALVE SEAT	NBR
1033	NRV BASE	SS 304
1041	TOP NUT	SS 316
1042	CLAMP STUD	SS 304
1043	BOLT FOR CLAMP STUD	SS 316
1044	WASHER FOR CLAMP STUD	SS 316
1046	TOP BOWL WASHER	SS 304
1047	TOP BEARING	NBR
1056	PRIMING SCREW	SS 304
1070	WASHER	TEFLON

CONSTRUCTION



MATERIALS

PART NO.	PARTS NAME	MATERIAL
1001	SUCTION CASE	SS 304
1002	DELIVERY CASING ASSEMBLY	SS 304
1003	BOWL / DIFFUSER	SS 304
1004	IMPELLER	SS 304
1005	TOP BOWL (ONLY FOR P04-40)	SS 304
1005.1	BOTTOM BOWL (ONLY FOR P04-40)	SS 304
1010	NECK RING	NBR
1011	PUMP SHAFT	SS 316
1013	CABLE GUARD	SS 304
1014	STRAINER	SS 304
1015	COUPLE	SS 316
1028	BOWL BEARING	NBR
1029	COLLET NUT	SS 304
1030	COLLET	SS 304
1041	NUT	SS 316
1042	CLAMP STUD	SS 304
1047	TOP BEARING	NBR
1056	PRIMING SCREW (ONLY FOR P04-40)	SS 304
1057	TOP BOWL CAP (ONLY FOR P04-60,P04-75)	SS 304
1058	SPACING WASHER (ONLY FOR P04-60,P04-75)	PTFE
1059	SUCTION GUIDE PLATE (ONLY FOR P04-60,P04-75)	SS 304
1060	TOP BEARING PLATE (ONLY FOR P04-40)	SS 304