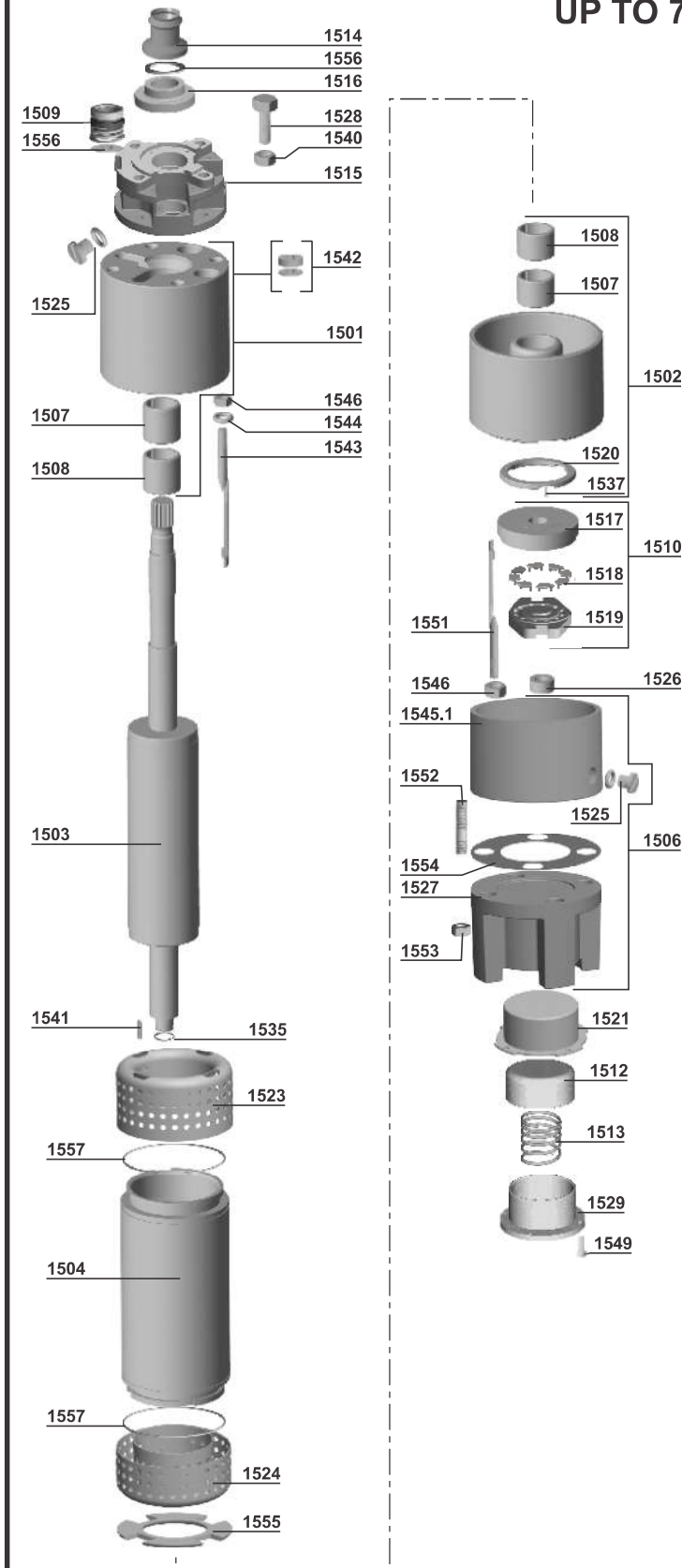


UP TO 75 HP

MATERIALS

| PART NO. | PARTS NAME | MATERIAL |
|----------|----------------------------------|---------------------|
| 1501 | UPPER BEARING HOUSING (COMPLETE) | - |
| 1502 | LOWER BEARING HOUSING (COMPLETE) | - |
| 1503 | ROTOR | STAINLESS STEEL |
| 1504 | STATOR | STAINLESS STEEL |
| 1506 | MOTOR BASE (COMPLETE) | - |
| 1507 | BEARING BUSH (45 X 55 X 40) MM | CARBON |
| 1508 | BEARING BUSH 45 X 55 X 40) MM | CARBON |
| 1509 | MECHANICAL SEAL | SIC / SIC / NBR |
| 1510 | THRUST BEARING SET | STAINLESS STEEL |
| 1512 | DIAPHRAGM PROTECTOR CUP | POM |
| 1513 | SPRING | STAINLESS STEEL |
| 1514 | SAND GUARD | NBR |
| 1515 | ADAPTOR | PU COATED GREY IRON |
| 1516 | SEAL GUARD | STAINLESS STEEL |
| 1517 | THRUST DISC WITH CARBON | PU COATED GREY IRON |
| 1518 | THRUST SEGMENT PIECE (QTY-8) | STAINLESS STEEL |
| 1519 | THRUST BEARING BASE | PU COATED GREY IRON |
| 1520 | COUNTER RING | CLOTH BASED FIBER |
| 1521 | DIAPHRAGM | NBR |
| 1523 | UPPER WINDING PROTECTOR | PLASTIC |
| 1524 | LOWER WINDING PROTECTOR | PLASTIC |
| 1525 | WATER PLUG WITH 'O' RING | STAINLESS STEEL |
| 1526 | BEARING SUPPORT | STAINLESS STEEL |
| 1527 | MOTOR BASE | PU COATED GREY IRON |
| 1528 | COUPLE STUD | STAINLESS STEEL |
| 1529 | DIAPHRAGM COVER | PU COATED GREY IRON |
| 1535 | CIRCLIP | SPRING STEEL |
| 1537 | SCREW FOR COUNTER RING (QTY-3) | STAINLESS STEEL |
| 1540 | NUT FOR COUPLE STUD | STAINLESS STEEL |
| 1541 | KEY | STAINLESS STEEL |
| 1542 | CABLE KIT | - |
| 1543 | UPPER TIE ROD | EN-8 |
| 1544 | 'O' RING FOR TIE ROD | NBR |
| 1545.1 | BEARING HOUSING | PU COATED GREY IRON |
| 1546 | TIE ROD NUT | STAINLESS STEEL |
| 1549 | ALLEN PIN (QTY-4) | STAINLESS STEEL |
| 1551 | LOWER TIE ROD | EN-8 |
| 1552 | STUD FOR MOTOR BASE (QTY-4) | STAINLESS STEEL |
| 1553 | NUT FOR MOTOR BASE | STAINLESS STEEL |
| 1554 | GASKET | NBR |
| 1555 | LOWER WINDING SUPPORTER | NBR |
| 1556 | WASHER | TEFLON |
| 1557 | GASKET | OIL PAPER |



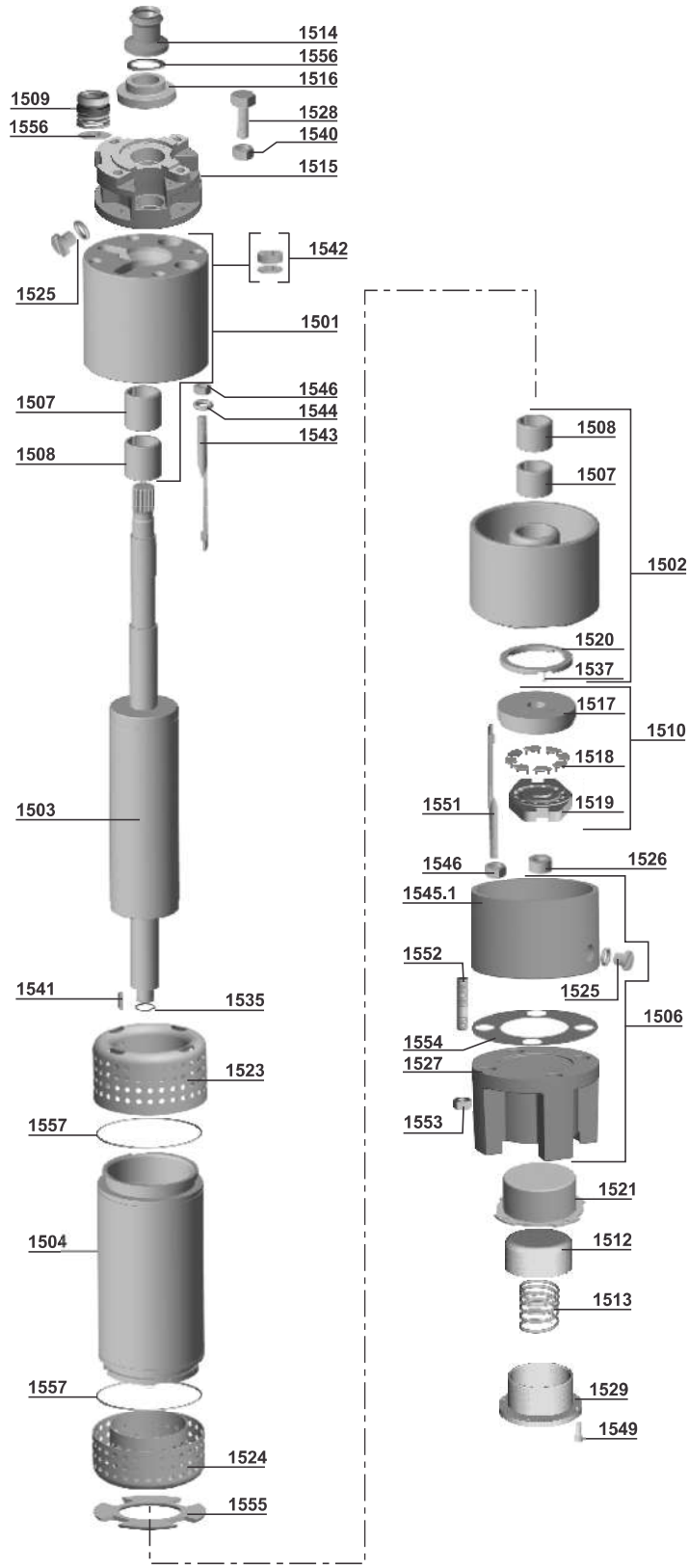
ORDERING NOTE:

While ordering spare parts kindly mention motor type, part no, part name, material & quantity in the order.

100 TO 150 HP

MATERIALS

| PART NO. | PARTS NAME | MATERIAL |
|----------|----------------------------------|---------------------|
| 1501 | UPPER BEARING HOUSING (COMPLETE) | - |
| 1502 | LOWER BEARING HOUSING (COMPLETE) | - |
| 1503 | ROTOR | STAINLESS STEEL |
| 1504 | STATOR | STAINLESS STEEL |
| 1506 | MOTOR BASE (COMPLETE) | - |
| 1507 | BEARING BUSH (50 X 62 X 50) MM | CARBON |
| 1508 | BEARING BUSH (50 X 62 X 50) MM | CARBON |
| 1509 | MECHANICAL SEAL | SIC / SIC / NBR |
| 1510 | THRUST BEARING SET | S.S/CARBON |
| 1512 | DIAPHRAGM PROTECTOR CUP | POM |
| 1513 | SPRING | STAINLESS STEEL |
| 1514 | SAND GUARD | - |
| 1515 | ADAPTOR | CAST IRON |
| 1516 | SEAL GUARD | STAINLESS STEEL |
| 1517 | THRUST DISC WITH CARBON | GREY IRON |
| 1518 | THRUST SEGMENT PIECE (QTY-8) | STAINLESS STEEL |
| 1519 | THRUST BEARING BASE | GREY IRON |
| 1520 | COUNTER RING | CLOTH BASED FIBER |
| 1521 | DIAPHRAGM | NBR |
| 1523 | UPPER WINDING PROTECTOR | PLASTIC |
| 1524 | LOWER WINDING PROTECTOR | PLASTIC |
| 1525 | WATER PLUG WITH 'O' RING | STAINLESS STEEL |
| 1526 | BEARING SUPPORT | STAINLESS STEEL |
| 1527 | MOTOR BASE | CAST IRON |
| 1528 | COUPLE STUD | STAINLESS STEEL |
| 1529 | DIAPHRAGM COVER | PU COATED GREY IRON |
| 1535 | CIRCLIP | SPRING STEEL |
| 1537 | SCREW FOR COUNTER RING (QTY-3) | STAINLESS STEEL |
| 1540 | NUT FOR COUPLE STUD | STAINLESS STEEL |
| 1541 | KEY | STAINLESS STEEL |
| 1542 | CABLE KIT | - |
| 1543 | UPPER TIE ROD | EN-8 |
| 1544 | 'O' RING FOR TIE ROD | RUBBER |
| 1545.1 | BEARING HOUSING | CAST IRON |
| 1546 | TIE ROD NUT | STAINLESS STEEL |
| 1549 | ALLEN PIN (QTY-4) | STAINLESS STEEL |
| 1551 | LOWER TIE ROD | EN-8 |
| 1552 | STUD FOR MOTOR BASE (QTY-4) | STAINLESS STEEL |
| 1553 | NUT FOR MOTOR BASE | STAINLESS STEEL |
| 1554 | GASKET | RUBBER |
| 1555 | LOWER WINDING SUPPORTER | RUBBER |
| 1556 | WASHER | TEFLON |
| 1557 | GASKET | OIL PAPER |



ORDERING NOTE:

While ordering spare parts kindly mention motor type, part no, part name, material & quantity in the order.